

6x2 10



辰远专汽  
CHENYUAN-AUTO

[www.chinacysalestruck.com](http://www.chinacysalestruck.com)



(0086) 18808666258



[steven@chinacysalestruck.com](mailto:steven@chinacysalestruck.com)









<b>CLW5253JSQ3</b>			
kg	24900		6 X 2
kg	14000		3
Kg	10705	mm	11200×2500×3750
°	12/34	mm	7600×2294×550
	3	mm	
Kg	6750/6780/11370	mm	1950+ 4750
Km / h	85		
<b>EQ5253GFJ3</b>			
			8
°			10.00-20
	10/10/12 + 9	mm	
		mm	1860
	III		8gears
ml Kw			
B210 33		5900	155
<b>SQS250</b>			
		kgs	2820
kg	10000	m	14
m	12		/
	4		24
H			
360°			



吊臂界面采用加强钢板，且8吨以上吊机采用U型臂，可以提高截面抗弯能力！

THE BOOM INTERFACE WITH REINFORCED STEEL PLATE, AND ABOVE 8 TONS CRANE USE U-TYPE BOOM WITH POWERFUL BENDING RESISTANCE.

液压绞车依靠碟簧和摩擦片制动，效率高且噪音低，发热量小，耐用！！

HYDRAULIC WINCH RELIES ON DISC SPRING AND FRICTION PLATE TO BRAKE, HIGH EFFICIENCY, LOW NOISE AND LOW HEAT GRNERATION;



下降过程中依靠液压平衡阀平衡重物，产品的可靠性极高！

RELYING ON HYDRAULIC BALANCE VALVE TO BALANCE HEAVY OBJECTS DURING THE DESCENDING PROCESS GREATLY IMPROVING PRODUCT RELIABILITY.



6.3吨以上吊机均采用方厢支腿，能更有效的保护油缸。

ABOUT 6.3T CRANE USE SQUARE LEGS CAN PROTECT THE CYLINDER MORE EFFECTIVELY.

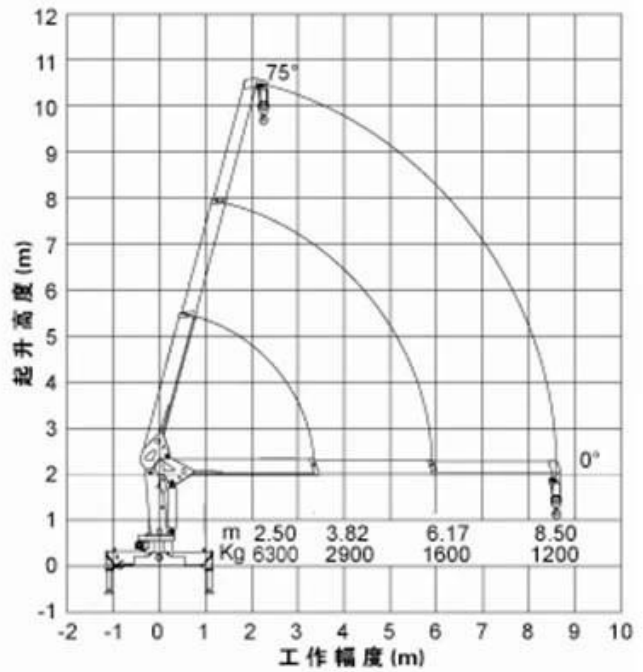
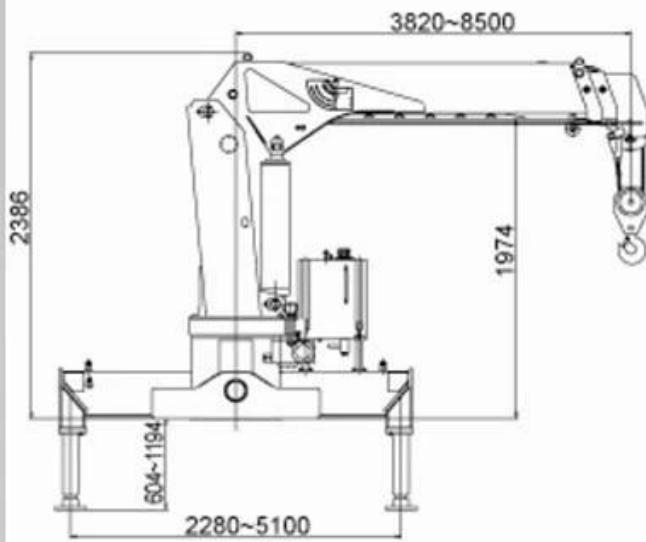
水性油漆，更加环保。

WATER-BASED PAINT, MORE ENVIRONMENTALLY FRIENDLY.



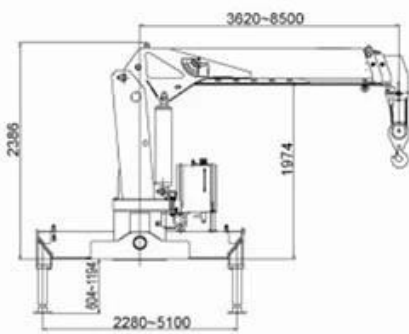
Crane model	Max Lifting quality	Max Lifting Moment	Recommended Power	H-System Max Flow Rate	H-System Rated Pressure	Oil Tank Volume	Rotation Angle	Crane Dead Weight	Install Space
SQ6.3SK2Q	6300KG	15.7 T.M	20 KW	40 L/MIN	20MPA	90 L	Full Gyration	2117 KG	900 MM

# SQ6.3SK2Q

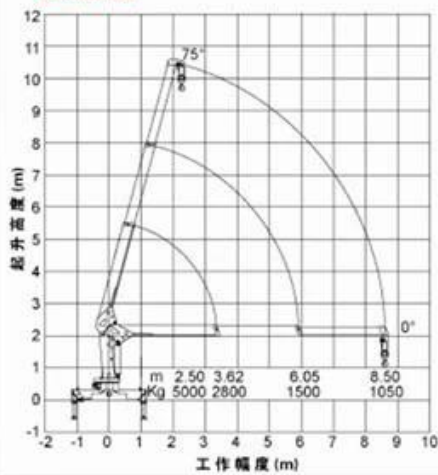




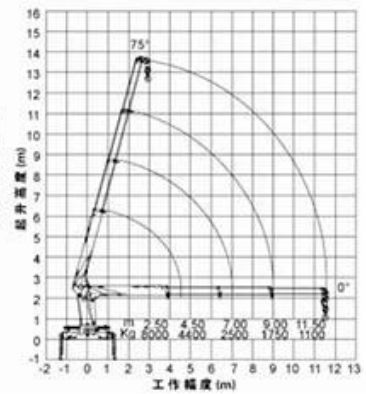
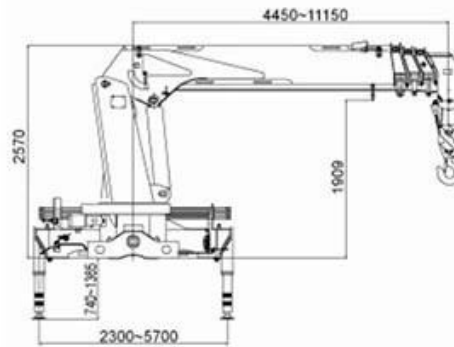
## SQ5SK2Q



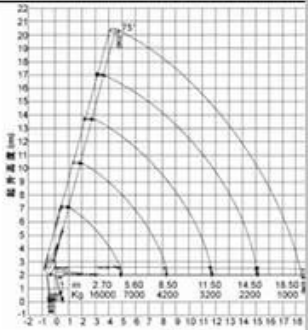
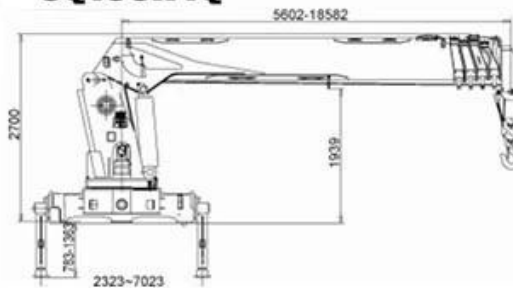
**STRAIGHT ARM WITH CRANE  
SAMPLE**



## SQ8SK3Q

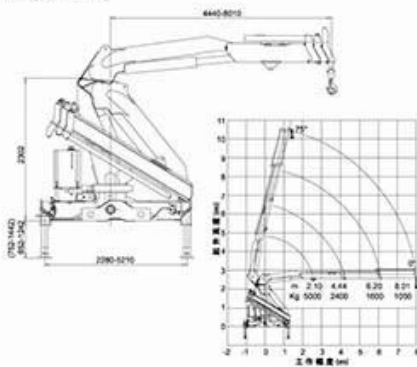


## SQ16SK4Q

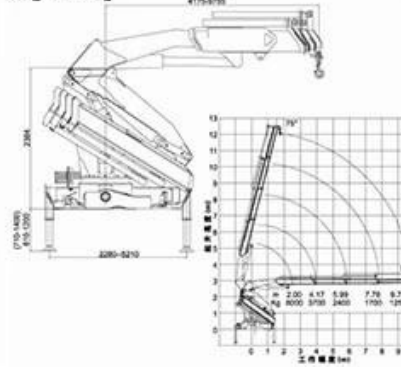


As per a different requires from our customers, we will recommend a suitable type as referring in the selected truck, about the crane weight, we have many chooses, such as Straight arm: SQ2SK1Q/ SQ2SK2Q/SQ3.2SK1Q/SQ3.2SK2Q/SQ4SK3Q/SQ5SK2Q/SQ5SK3Q/SQ6.3SK3Q /SQ8SK3Q/SQ10SK3Q/SQ12SK3Q/SQ14SK4Q/SQ16SK5Q/SQ25SK2Q and so on.

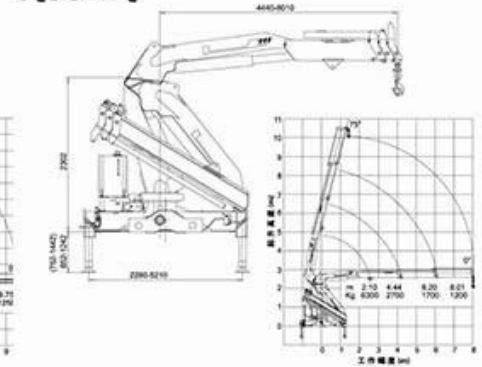
### SQ5ZK2Q



### SQ8ZK3Q

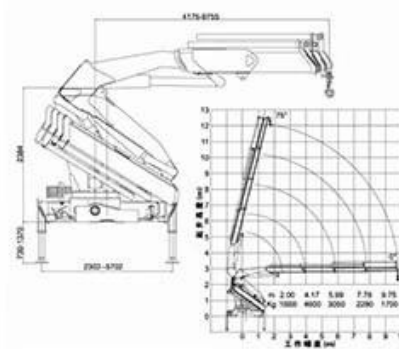


### SQ6.3ZK2Q

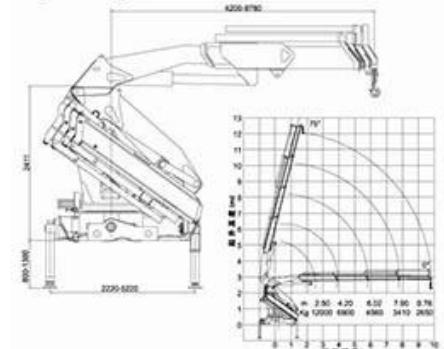


**FOLDING ARM WITH CRANE  
SAMPLE**

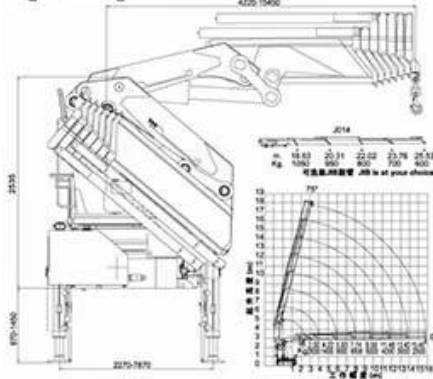
### SQ10ZK3Q



### SQ12ZK3Q



### SQ25ZK6Q



As per a different requires from our customers, we will recommend a suitable type as referring in the selected truck, about the crane weight, we have many chooses, such as Folding arm: **SQ5ZK2Q/ SQ5ZK3Q/ SQ6.3ZK2Q/ SQ6.3ZK3Q/ SQ8ZK3Q/ SQ10ZK3Q/ SQ12ZK3Q/ SQ14ZK3Q/ SQ16ZK4Q/ SQ25ZK6Q** and so on.





REMOTE CONTROL



BASKET



TOP SEAT



AUGER DRILL



REAR OUTRIGGER



MOMENT LIMITED VALVE



GRAPPLE



GRAPPLE



GRAPPLE





**WORKSHOP DISPLAY**



OUR CERTIFICATION



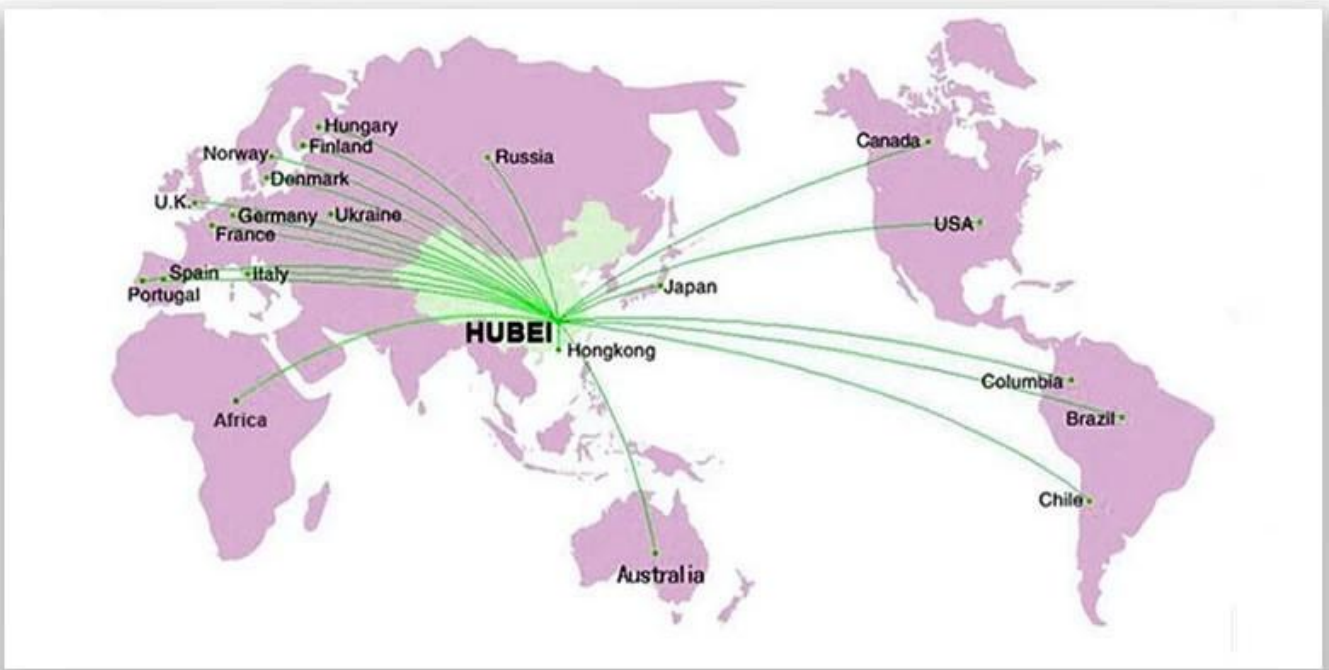
Why Choose Us?

1. 工厂通过ISO 14001:2004 / ISO 14001:2005 环境管理体系认证，认证范围覆盖整车生产及售后服务。
2. 工厂通过GB/T 28001-2001 / OHSAS 18001:2007 职业健康安全管理体系认证，认证范围覆盖整车生产及售后服务。
3. 工厂通过国家工商行政管理总局核准注册，持有合法有效的营业执照。
4. 工厂通过国家质量监督检验检疫总局核准注册，持有合法有效的CCC认证证书。
5. 工厂通过国家出入境检验检疫局核准注册，持有合法有效的出口货物通关单。

PACKAGING & SHIPPING



OUR MARKET



CLIENTS INVISTING



CONTACT US



**Steven.wang**



Tel:+86 722 3229822



Mobile:++86 18808666258



Email: [steven@chinacyalestruck.com](mailto:steven@chinacyalestruck.com)



Skype:Truck\_chengli



Whatsap:+86 18808666258



Web: [www.chinacyalestruck.com](http://www.chinacyalestruck.com)



if you want to know me,  
please use your phone to  
scan above QR code